

► Order Information

AD16□□U4-1ab△○

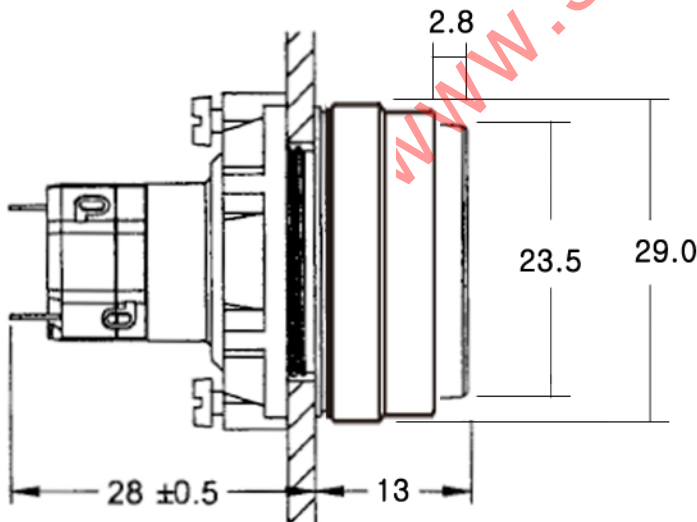


- - **LA** : Alternate action
LM : Momentary action
- △ - Lamp and voltage
 - 0** : without lamp
 - F** : Neon 110VAC(green/red)
 - G** : Neon 220VAC(green/red)
 - H** : LED 6VDC(green/red/yellow/blue/white)
 - J** : LED 12VDC(green/red/yellow/blue/white)
 - K** : LED 24VDC(green/red/yellow/blue/white)
- - Color lens
 - B** : blue **G** : Green **Y** : Yellow **R** : Red **W** : White

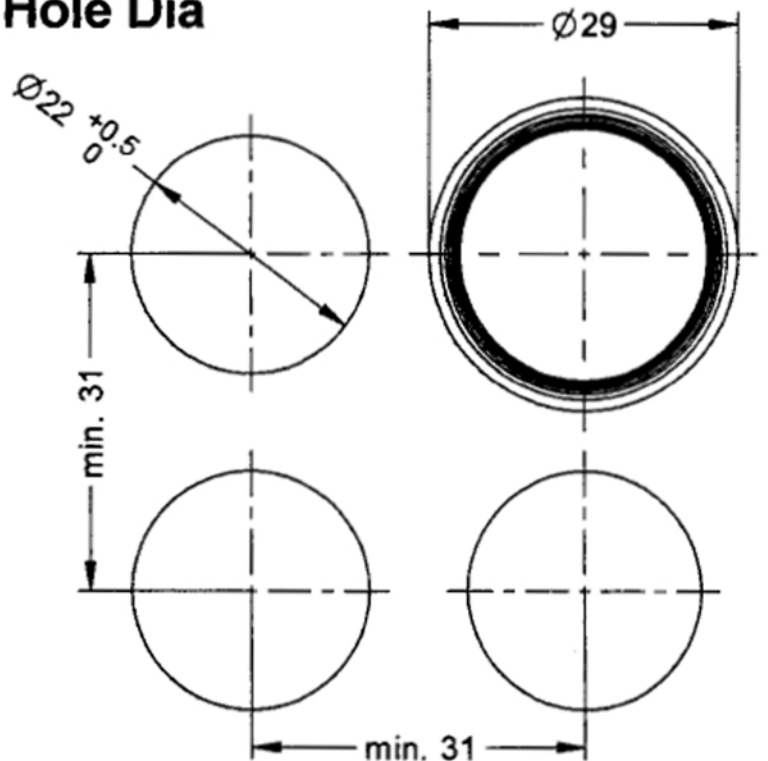


Product Specifications

Mechanical lifetime : >2million operations
 Electric rating : 250VAC 5A(VDE), 125VAC 8A
 250VDC 0.2A, 24VDC 6A
 Max. insulation voltage : 2000V 60Hz 1min. between all terminals and ground
 Motion tolerance : <60 operation/min
 Panel thickness : 0.5m ~4mm
 Degree of protection : IP65
 Storage temperature : : -40°C to +85°C
 Operating temperature : -25°C to +55°C with lamp
 -25°C to +70°C without lamp
 Total travel : 2.8mm



Hole Dia



Bottom View

Electrical Diagram

