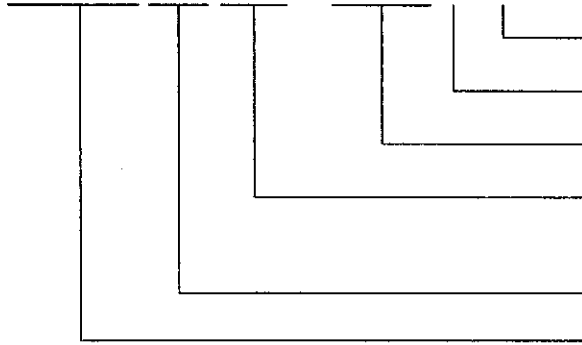


D16LAU2 - 1ab□□



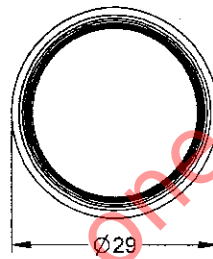
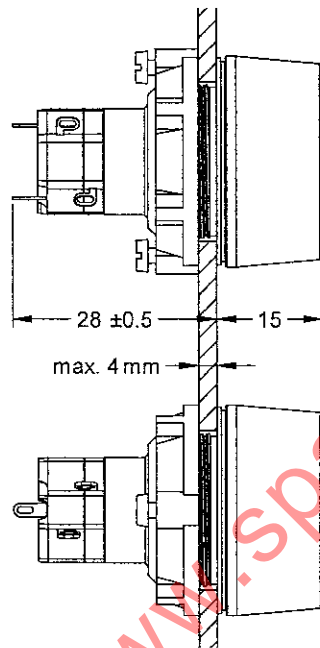
□ : Lens color
 □ : Lamps
 1ab: 1NO+1NC
 U2 : $\phi 29$ mm metal ring
 - optional
 LA : Alternate
 D16 : Type

B : Blue
 G : Green
 O : Orange
 R : Red
 W : White
 Y : Yellow

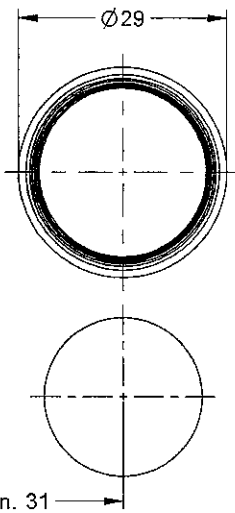
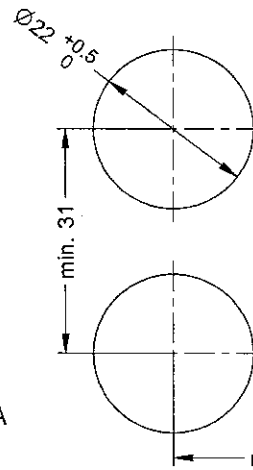
O : Without lamps
 A : Incandescent 6V
 AC/DC 200mA
 B : Incandescent 14V
 AC/DC 80mA
 C : Incandescent 28V
 AC/DC 40mA
 F : Neon 110V/AC
 G : Neon 220V/AC
 H : LED 6V DC
 J : LED 12V DC
 K : LED 24V DC

Soldering Type Pushbutton Switch

All materials are lead free according to EU.



Hole Dia

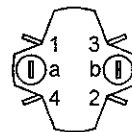


Product Specifications

Mechanical lifetime : >2 million operations
 Electric rating : 250V AC 5A(VDE) 125V AC 8A
 250V DC 0.2A 24V DC 6A
 Max. insulation voltage : 2000V 60HZ 1min. between all
 terminals and ground
 Motion tolerance : <60 operation/min
 Panel thickness : 0.5mm ~ 4mm
 Degree of protection : IP 65
 Storage temperature : -40°C to +85°C
 Operating temperature : -25°C to +55°C with lamp
 -25°C to +70°C without lamp

Bottom View

Electrical Diagram



1 | 2
 3 | 4
 a - (L) - b (+)

DECA[®] Switchlab INC.

CONFIRMED &
 ACCEPTED BY:

DRAWING NO.	D16LxU2-xabxx	VERSION	C	CONFIRMED BY	<i>[Signature]</i>
SHEET OF	1/1	DATE	2006/06/20	GENERAL MANAGER	<i>[Signature]</i>