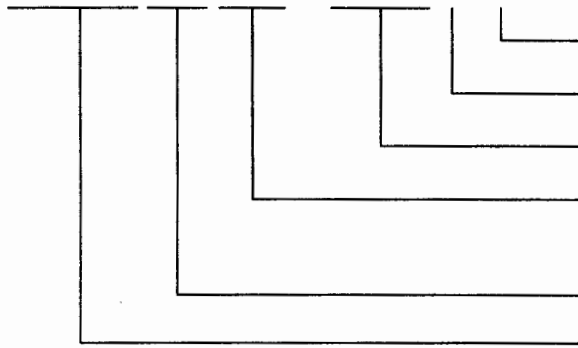


D16L MU2 - 1ab□□



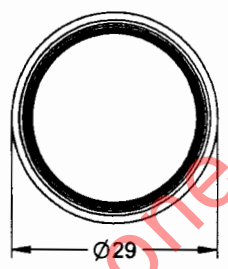
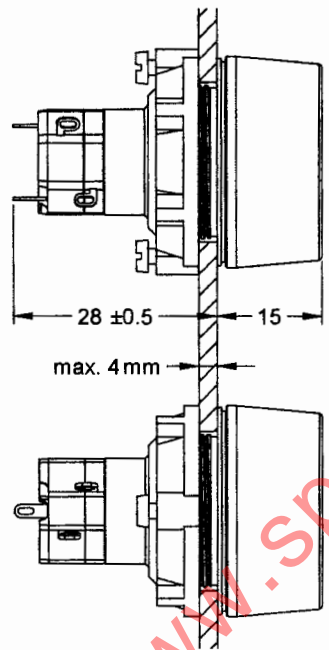
□ : Lens color
 □ : Lamps
 1ab: 1NO+1NC
 U2 : φ29mm metal ring - optional
 LM : Momentary
 D16 : Type

B : Blue
 G : Green
 O : Orange
 R : Red
 W : White
 Y : Yellow

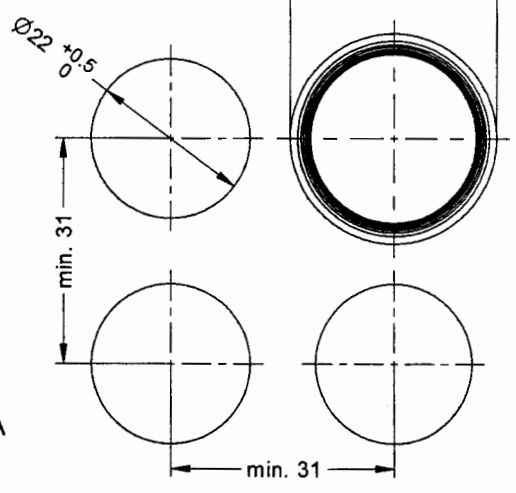
O : Without lamps
 A : Incandescent 6V AC/DC 200mA
 B : Incandescent 14V AC/DC 80mA
 C : Incandescent 28V AC/DC 40mA
 F : Neon 110V/AC
 G : Neon 220V/AC
 H : LED 6V DC
 J : LED 12V DC
 K : LED 24V DC

Soldering Type Pushbutton Switch

All materials are lead free according to EU.



Hole Dia

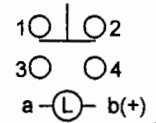
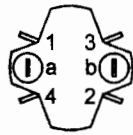


Product Specifications

- Mechanical lifetime : >2 million operations
- Electric rating : 250V AC 5A(VDE) 125V AC 8A
250V DC 0.2A 24V DC 6A
- Max. insulation voltage : 2000V 60HZ 1min. between all terminals and ground
- Motion tolerance : <60 operation/min
- Panel thickness : 0.5mm ~ 4mm
- Degree of protection : IP 65
- Storage temperature : -40°C to +85°C
- Operating temperature : -25°C to +55°C with lamp
-25°C to +70°C without lamp

Bottom View

Electrical Diagram



DECA[®] SwitchLab **Switchlab INC.**

CONFIRMED & ACCEPTED BY:



DRAWING NO.	D16LxU2-xabxx	VERSION	C	CONFIRMED BY	<i>[Signature]</i>
SHEET OF	1/1	METRIC	MM	DRAWN BY	<i>[Signature]</i>
		DATE	2006/06/20	GENERAL MANAGER	<i>[Signature]</i>