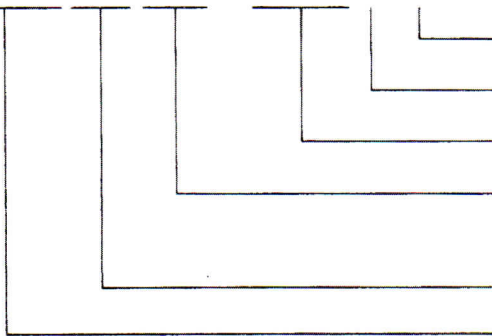


D16LAV3 - 1 ab□□



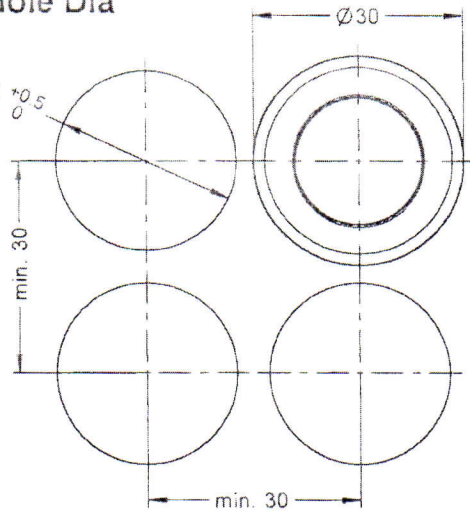
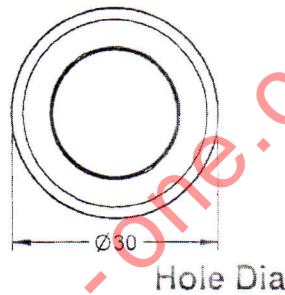
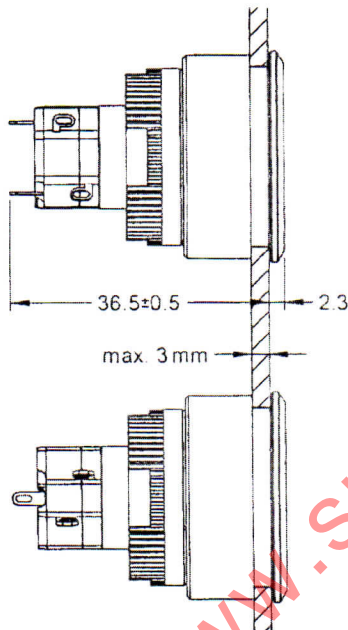
□: Lens color
 □: Lamps
 1ab: 1NO+1NC
 V3: φ30mm metal ring
 - flush mounted
 LA: Alternate
 D16: Type

B: Blue
 G: Green
 O: Orange
 R: Red
 W: White
 Y: Yellow

0: Without lamps
 A: Incandescent 6V AC/DC 200mA
 B: Incandescent 14V AC/DC 80mA
 C: Incandescent 28V AC/DC 40mA
 F: Neon 110V/AC
 G: Neon 220V/AC
 H: LED 6V DC
 J: LED 12V DC
 K: LED 24V DC

Soldering Type Pushbutton Switch

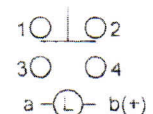
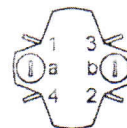
All materials are lead free according to EU.



Product Specifications

- Mechanical lifetime : >2 million operations
- Electric rating : 250V AC 5A(VDE) 125V AC 8A
250V DC 0.2A 24V DC 6A
- Max. insulation voltage : 2000V 60HZ 1min. between all terminals and ground
- Motion tolerance : <60 operation/min
- Panel thickness : 0.5mm ~ 3mm
- Degree of protection : IP 65
- Storage temperature : -40°C to +85°C
- Operating temperature : -25°C to +55°C with lamp
-25°C to +70°C without lamp

Bottom View Electrical Diagram



DECA[®] Switchlab INC.

CONFIRMED & ACCEPTED BY:

DRAWING NO.	D16LxV3-xabxx	VERSION	B	CONFIRMED BY	<i>Widomse</i>
SHEET OF	1/1	METRIC	MM	DATE	2006/05/18
DRAWN BY		<i>Kingdom</i>		GENERAL MANAGER	