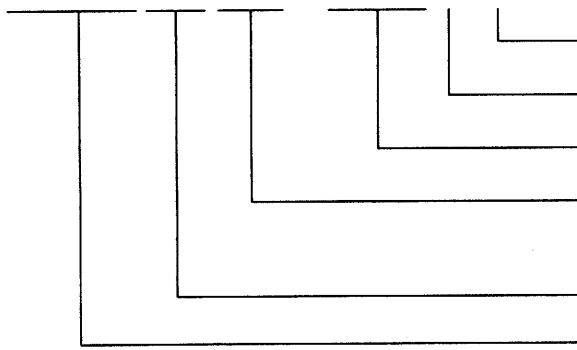


P16LAV3 - 1ab□□



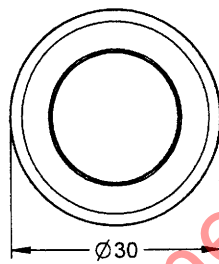
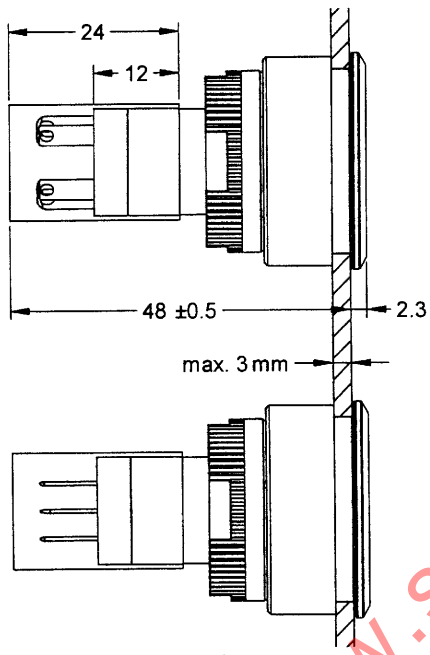
□: Lens color
 □: Lamps
 1ab: 1NO+1NC
 V3 : φ30mm metal ring
 - flush mounted
 LA : Alternate
 P16 : Type

B: Blue
 G: Green
 O: Orange
 R: Red
 W: White
 Y: Yellow

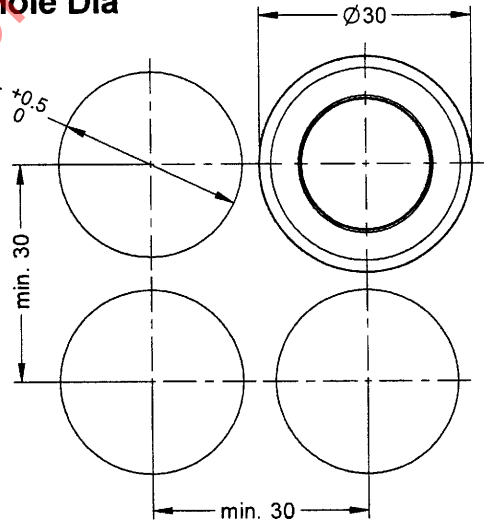
0: Without lamps
 A: Incandescent 6V AC/DC 200mA
 B: Incandescent 14V AC/DC 80mA
 C: Incandescent 28V AC/DC 40mA
 F: Neon 110V/AC
 G: Neon 220V/AC
 H: LED 6V DC
 J: LED 12V DC
 K: LED 24V DC

Socket Type Pushbutton Switch

All materials are lead free according to EU.



Hole Dia

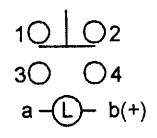
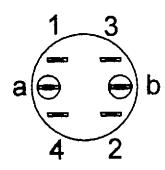


Product Specifications

- Mechanical lifetime : >2 million operations
- Electric rating : 250V AC 5A(VDE) , 125V AC 8A
 250V DC 0.2A 24V DC 6A
- Max. insulation voltage : 2000V 60HZ 1min. between all terminals and ground
- Motion tolerance : <60 operation/min
- Panel thickness : 0.5mm ~ 3mm
- Degree of protection : IP 65
- Storage temperature : -40°C to +85°C
- Operating temperature : -25°C to +55°C with lamp
 -25°C to +70°C without lamp

Bottom View

Electrical Diagram



DECA® SwitchLab **Switchlab INC.**

CONFIRMED & ACCEPTED BY:			
VERSION	C	CONFIRMED BY	<i>Widomsk</i>
SHEET OF	1/1	GENERAL MANAGER	<i>Jah</i>

DRAWING NO.	P16LxVx-1abxx		
METRIC	MM	DRAWN BY	<i>Kingdom</i>
SHEET OF	1/1	DATE	2006-05-17