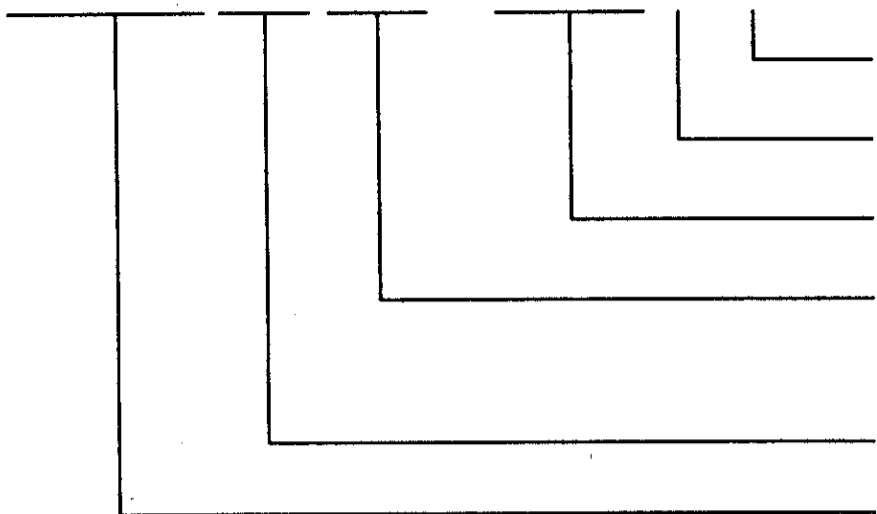


D16LMU3 - 1ab□□



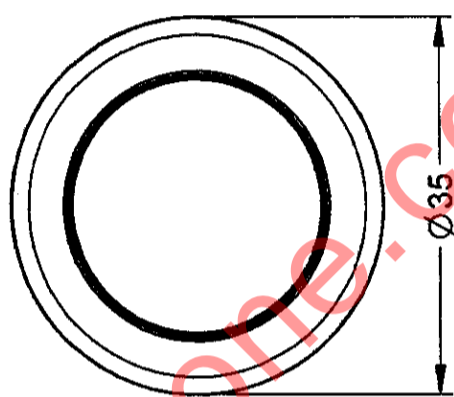
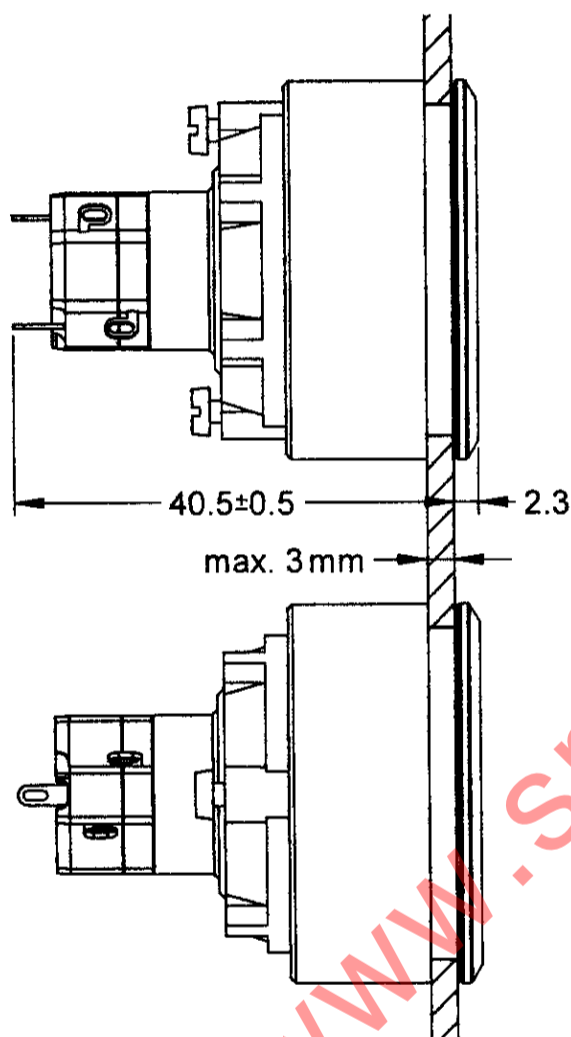
□: Lens color  
 □: Lamps  
 1ab: 1NO+1NC  
 U3 : φ35mm metal ring  
 - flush mounted  
 LM : Momentary  
 D16 : Type

B : Blue  
 G : Green  
 O : Orange  
 R : Red  
 W : White  
 Y : Yellow

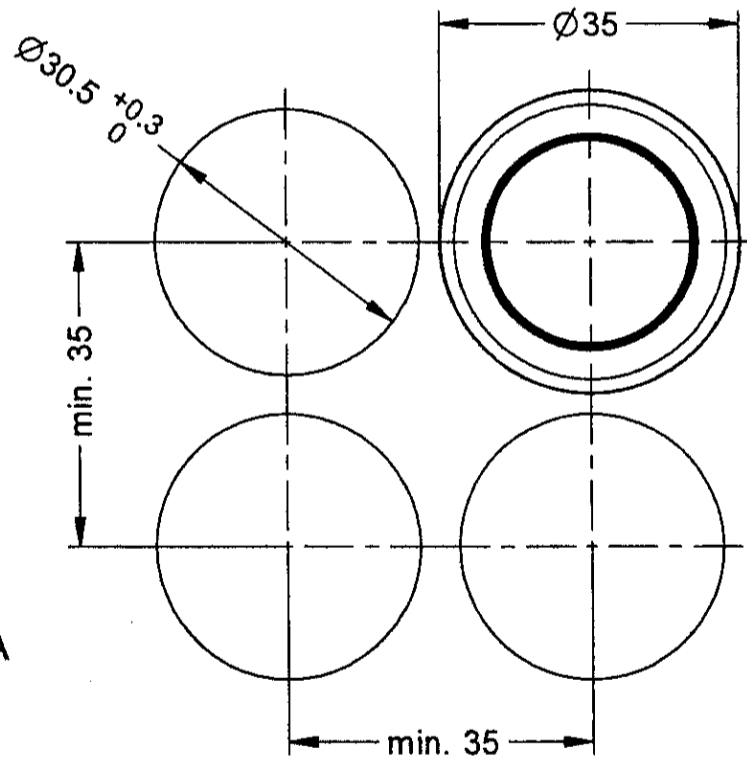
0 : Without lamps  
 A : Incandescent 6V  
 AC/DC 200mA  
 B : Incandescent 14V  
 AC/DC 80mA  
 C : Incandescent 28V  
 AC/DC 40mA  
 F : Neon 110V/AC  
 G : Neon 220V/AC  
 H : LED 6V DC  
 J : LED 12V DC  
 K : LED 24V DC

**Soldering Type Pushbutton Switch**

All materials are lead free according to EU.



Hole Dia

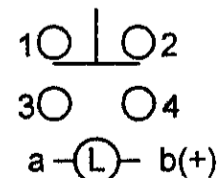
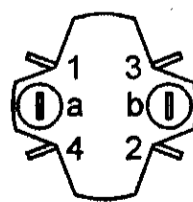


Bottom View

Electrical Diagram

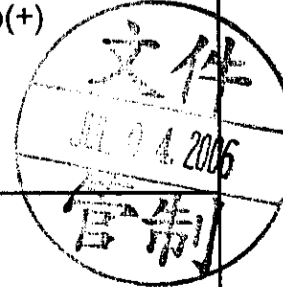
**Product Specifications**

- Mechanical lifetime : >2 million operations
- Electric rating : 250V AC 5A(VDE) 125V AC 8A  
250V DC 0.2A 24V DC 6A
- Max. insulation voltage : 2000V 60HZ 1min. between all terminals and ground
- Motion tolerance : <60 operation/min
- Panel thickness : 0.5mm ~ 3mm
- Degree of protection : IP 65
- Storage temperature : -40°C to +85°C
- Operating temperature : -25°C to +55°C with lamp  
-25°C to +70°C without lamp



**DECA<sup>®</sup> Switchlab INC.**

CONFIRMED & ACCEPTED BY:



DRAWING NO.	D16LxU3-xabxx	VERSION	B	CONFIRMED BY	<i>Melao</i>
SHEET OF	1/1	METRIC	MM	GENERAL MANAGER	<i>J. L. L.</i>
DRAWN BY		DATE			
<i>Kingdom</i>		2006/06/20			