

DESCRIPTION

- * Wider light distribution enables this device to be seen within wider range.
- * Available Size: Rectangular 18x24mm
Square 18 x 18mm
Round \varnothing 18mm
- * Color lens available : Red, Yellow, Green; engraving on lens or marking available on request
- * Illuminated by LED lamp.
IP40 protection degree.
- * Applied UL94 V0 high grade fire prevention plastic material.
- * Approvals: UL/CUL/VDE/CE pending

**SPECIFICATIONS**

Rated Voltage	AC110V / 220V	Cable Range	2x0.75mm ² /1x1.0mm ² Max
Rated Current	min100mA~max3A	Storage Temperature	-40°C~+85°C
Electrical Life	3000hr(continuous tone)	Operating Temperature	-25°C~+55°C
Terminal	Soldering type	Degree of Protection	IP40
Wire Range	1x1.5mm ² max		

ORDER INFORMATION

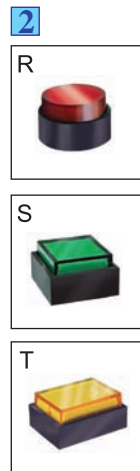
MODEL FORMAT ADP16F **1**-0**2**0-E1T **3**

1 DEGREE OF PROTECTION
4 : IP40

2 HEAD SHAPE
R : ROUND
S : SQUARE
T : RECTANGULAR

3 LENS COLOR
G : GREEN
R : RED
Y : YELLOW

www.space-one.co.kr



unit: mm

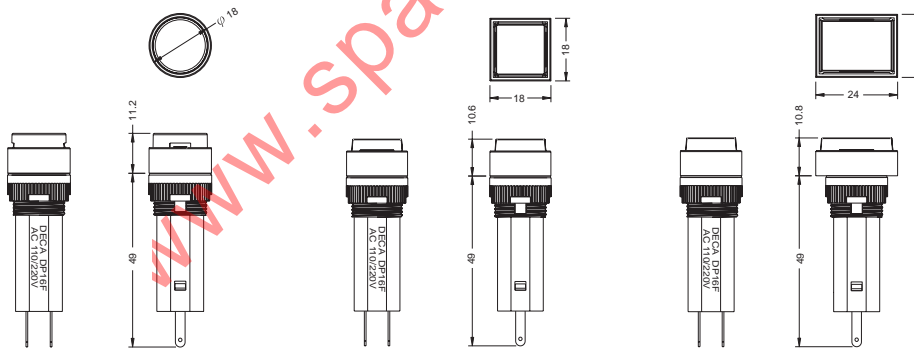
SHAPE			
DIMENSIONS	ϕ 18	18x18	18x24

HEAD SHAPE

ADP16F4-0R0-E1T □

ADP16F4-0S0-E1T □

ADP16F4-0T0-E1T □



MOUNTING DIMENSIONS

Panel Thickness 0.5 To 5.0

