



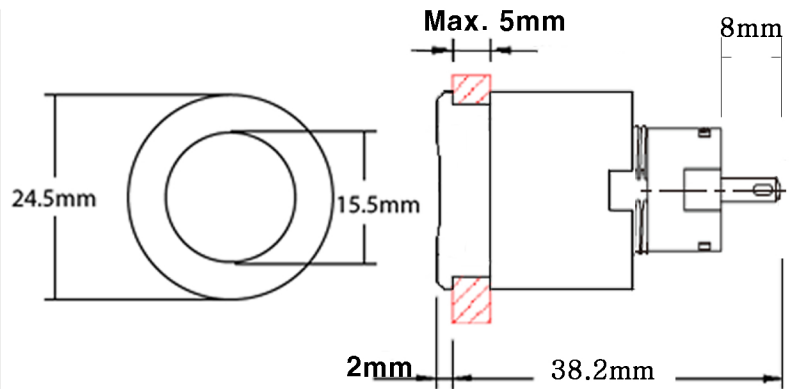
使用電壓 (Operating Voltage)	Type No.	顏色記號① (Colors ①)	備註 (Notes)
	閉鎖型 (IP40)		
無 (Without Lamps)	C1P01-R110 ①-22		
6V AC/DC	C1P01-R11H ①-22	B: 藍色 G: 綠色 O: 橘色 P: 純白色 R: 紅色 W: 乳白色 Y: 黃色	文字記名板尺寸: (Marking Plate Size) Ø 13.7mm 雕刻範圍: (Engraving Range) Ø 12mm 雕刻深度: (Engraving Depth) 0.5mm 以內 (Engraving Depth 0.5mm maximum)
12V AC/DC	C1P01-R11J ①-22	B: Blue G: Green O: Orange P: Pure White R: Red W: White Y: Yellow	
24V AC/DC	C1P01-R11K ①-22		

Specifications

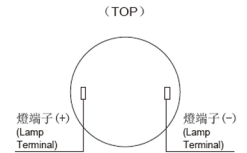


Operating Temperature	- 25 ~ + 55° C (no freezing)		
Storage Temperature	- 30 ~ + 80° C		
Operating Humidity	45 ~ 85% (no condensation)		
Contact Resistance	50 mΩ maximum (initial value)		
Insulation Resistance	100 MΩ minimum (500V DC megger)		
Dielectric Strength	Switch Unit	Between live and dead metal parts:	2,000V AC, 1 minute
		Between terminals of different poles:	1,500V AC, 1 minute
		Between terminals of the same pole:	1,500V AC, 1 minute
		Between contact and lamp terminals:	1,500V AC, 1 minute
	Illuminated Unit	Between live part and ground:	2,000V AC • 1 minute
Vibration Resistance	5-55 Hz \ amplitude 0.75mm		
Shock Resistance	Damage limits: 500 m/s ²		
	Operating extremes: 200 m/s ²		
Mechanical Durability	Momentary	1,000,000 operations minimum	
	Alternate	100,000 operations minimum	
	Pushlock Turn Clockwise to Reset	100,000 operations minimum	
	Selector Switch	250,000 operations minimum	
	Key Selector Switch	250,000 operations minimum	
Electrical Durability	100,000 operations minimum (Frequency 1,200 times/hr) Alternate Type is 50,000 operations minimum		
Degree of Protection	Dustproof: IP40		

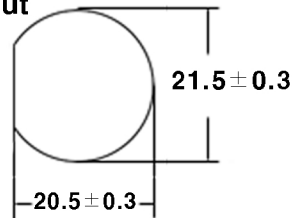
Dimension



Bottom View



Cut-Out



LED Lamp Ratings

Type No.	LCTD-6 ①	LCTD-1 ①	LCTD-2 ①
Lamp Base	Exclusive for C1 series control units		
Voltage Range	6V AC/DC ± 5%	12V AC/DC ± 10%	24V AC/ DC ± 10%
Rated Voltage	6V AC/DC	12V AC/DC	24V AC/ DC
Current Draw	DC	8 mA	8 mA
	AC	9 mA	9 mA
(①)Color Code	B: Blue G: Green O: Orange R: Red W: White Y: Yellow	B: Blue G: Green O: Orange R: Red W: White Y: Yellow	B: Blue G: Green O: Orange R: Red W: White Y: Yellow
Lamp Base Color / Lamp Body Resin Color	Illumination color / Porcelain white		
Voltage Marking	Die stamped on the base		
Life (reference value)	50,000 hours (Brightness of LED lamp will half of the initial value when using DC only.)		
Internal Circuit	<ul style="list-style-type: none"> LED Chip Protection Diode Zener Diode 		