

with keyway產品改為標準品,原B1E05-H620R-F11/002編號取消

type no.:

B1E05 - H620R-F11

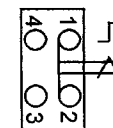
RoHS
Compliant

Electrical Diagram

11 : 1NO/1NC

R : Color (red)

05 : Push-pull

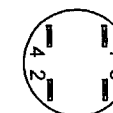


order no.:

B1E05-H620R-F11/□□□

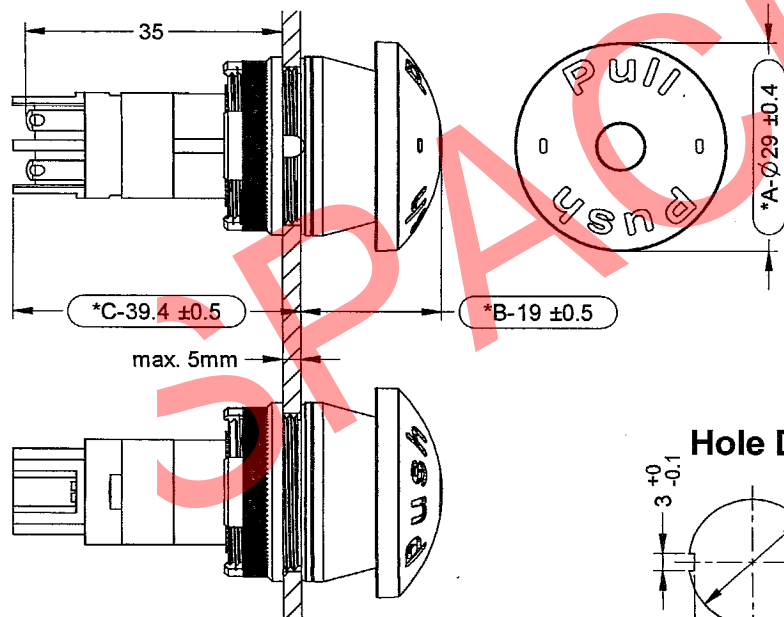
(Order no. codes)

Bottom View



Plug-in Emergency Stop Switch

Dimensions



Product Specifications

- Mechanical lifetime : >0.1 million operations
- Electric rating : 240V AC 1.5A ; 120V AC 3A
- Max. insulation voltage: >1500V 60Hz 1min. between all terminals
- Motion tolerance : <10 operation/min.
- Panel thickness : 0.5mm ~ 5mm
- Degree of protection : IP 65
- Storage temperature : -40°C to +70°C
- Operating temperature: -25°C to +55°C
- Contact resistance : 20mΩ (initial)

文件管制
AUG 30, 2013
文管中心

DECA® SwitchLab Inc.			PART NAME	UNIT	SCALE
			Plug-in Emergency Stop Switch	MM	1 : 1
DESIGNER	CHECK	APPROVE	DRAWING NO.	SHEET	1 / 1
DATE	DATE	DATE	B1E05-H620R-F11		
2013/8/30	2013/8/30	2013/8/30			

定案

C

REV.

THIS DRAWING CONTAINS INFORMATION THAT IS PROPRIETARY TO DECA SWITCHLAB INC AND SHOULD NOT BE USED WITHOUT WRITTEN PERMISSION. (本圖未經許可 禁止翻印 保留或轉閱 違者必究)