

# OM 901 SERIES JOYSTICK

## Mechanical parameter

Swing angle:  $\pm 20^\circ$

Service life:  
More than 10,000,000 times

Operation force: 5N (biggest)

Limit strength: 200N

Weight: 50g

## Optionals

Terminal type

Lead length

Seal form

Switch

potentiometer model specification

Light or heavy handling



## Features

Flexible handling

Small resetting error

Long life-time

## Typical Applications

Move photography cctv and control system

Medical imaging system

Measurement equipments

Automotive control

Video editing equipments

Industrial and scientific instruments

## Environmental parameter

Operating temperature scope:  $-25^\circ\text{C} \sim +75^\circ\text{C}$

Protection rank: IP65

## Electrical parameter

Total current:  $<30\text{mA}$

Linearity tolerance:  $\pm 3\%$

Power supply voltage:  $\text{DC}5\text{V} \pm 10\%$

Load resistance:  $\geq 10\text{K}\Omega$



## Product Selection

OM901 - □□□

①      ②

### ① Product series number

OM901 series industry handle, three axis hall type, with button , spring automatic reset, without direction switch, the installment pitch of hole size is 36mm\*36mm. Mainly used in the wheelchair control , video control and engineering vehicle control.

### ② Output signal

H51=Hall type DC5V power source,output voltage 0.5V ~ 2.5V ~ 4.5V

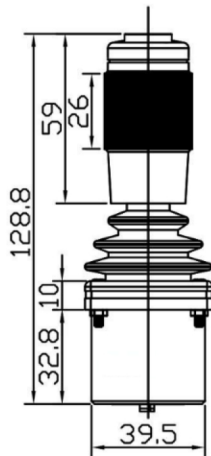
H52=Hall type DC5V power source,output voltage 0V ~ 2.5V ~ 5.0V

RS232=RS232 serial digital signal output

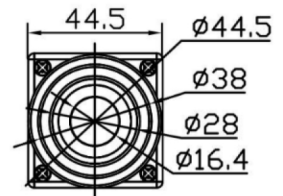
USB=USB connection digital signal output

## External dimensions

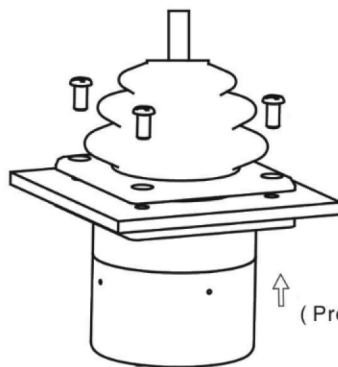
### Front view



### Vertical view



## Installation method



( 4pcs M3\*12)screws

( Mounting panel thickness 3-8mm )

( Product from Mounting panel to the upward installment )

