

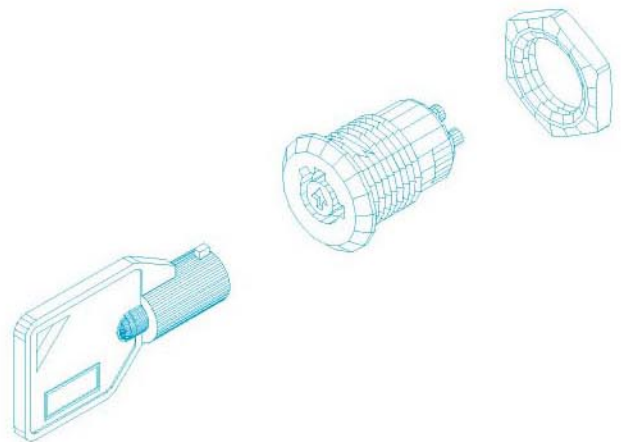
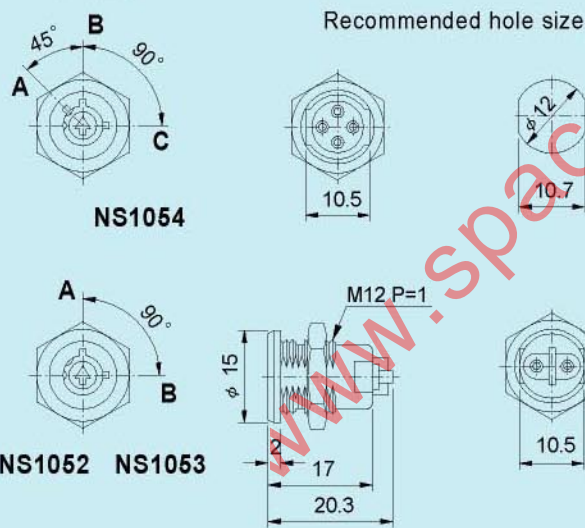
NS1052 NS1053 NS1054



DESCRIPTION

- . Zinc alloy die cast housing and cylinder.
- . Barrel chrome plated standard.
- . No pin tumbler mechanism.
- . Zinc alloy tubular keys, Barrel chrome plated.
- . Key may be withdrawn in both or three positions.
- . Silver plated contacts and terminals.
- . NS1052 2 position (off-on) 2 terminals,
- . NS1053 2 position (on-on) 4 terminals,
- . NS1054 3 position (off-on-on) 4 terminals,
- . Hex nut or speed clip mounted.
- . All keyed alike or 6 combinations standard.
- . 6 combinations available.

Unit: mm



○ -OFF POSITION

■ -INDICATES KEY-PULL

● -INDICATES NO KEY-PULL



Fig No	Lock Number	Pole	Positions	Terminals	Key Pulls	Turn	↻	↑	→	Type
1	NS1052	1	2	2	2	90°		Off	On	SPST
2	NS1053	1	2	4	2	90°		On	On	SPDT
3	NS1054	1	3	4	3	90°	Off	On	On	SPDT