

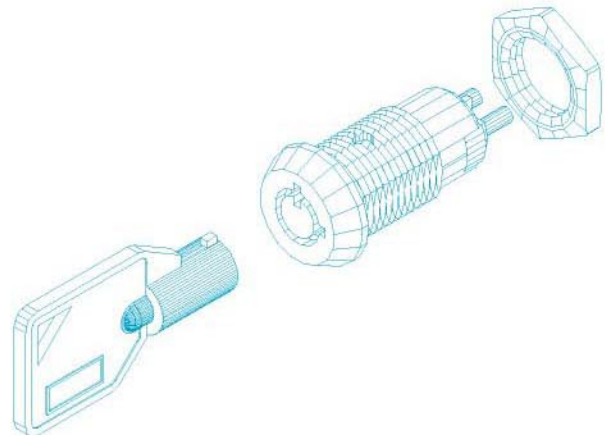
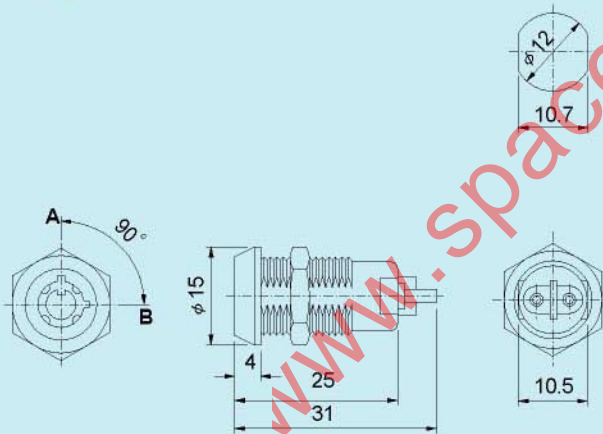
NS106 NS106M



DESCRIPTION

- . Zinc alloy die cast housing and cylinder.
- . Bright chrome plated standard.
- . 4 pin tumbler mechanism.
- . Zinc alloy tubular keys, Barrel chrome plated, with plastic cover.
- . Key may be withdrawn in one or both positions.
- . Silver plated contacts and terminals.
- . NS106 2 position (off-on) 2 terminals.
- . NS106M 2 position (off-on) 2 terminals spring loaded for momentary contact.
- . Hex nut mounted.
- . All keyed alike or 200 combinations standard.
- . 200 combinations available.

Unit: mm
Recommended hole size



- -OFF POSITION
- -INDICATES KEY-PULL
- -INDICATES NO KEY-PULL

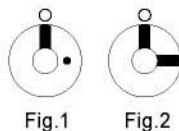


Fig No	Lock Numbe	Pole	Positions	Terminal	Key Pulls	Turn	↑	→	Type
1	NS106-1	1	2	2	1	90°	Off	On	SPST
2	NS106-2	1	2	2	2	90°	Off	On	SPST
3	NS106M	1	2	2	1	90°	Off	(On)	SPST

():Momentary Contact