

NS112

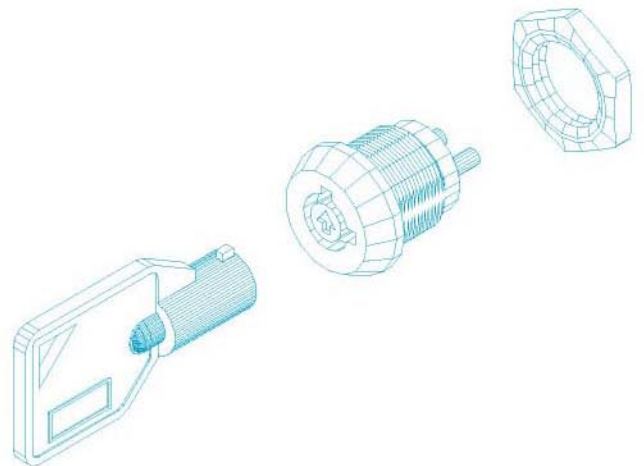
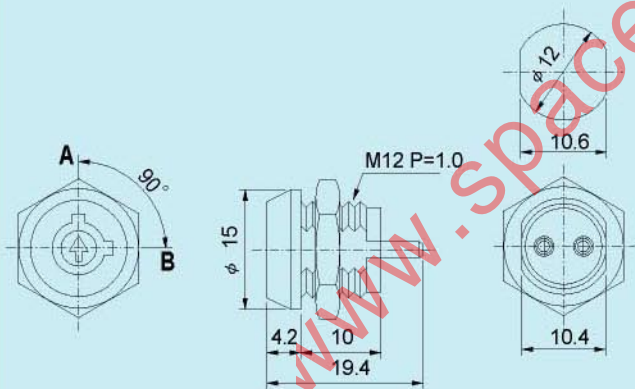


DESCRIPTION

- . Zinc alloy die cast housing and cylinder.
- . Barrel chrome plated standard
- . No pin tumbler mechanism.
- . Zinc alloy tubular keys, Barrel chrome plated.
- . Key withdrawals in both positions only.
- . Silver plated contacts and terminals.
- . 2 position (off-on) 2 terminals.
- . Hex nut mounted.
- . 1 combination only.

Unit: mm

Recommended hole size



- -OFF POSITION
- -INDICATES KEY-PULL
- -INDICATES NO KEY-PULL

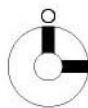


Fig.1

Fig No	Lock Numbe	Pole	Positions	Terminal	Key Pulls	Turn	↑	→	Type
1	NS112-2	1	2	2	2	90°	Off	On	SPST