

NS117

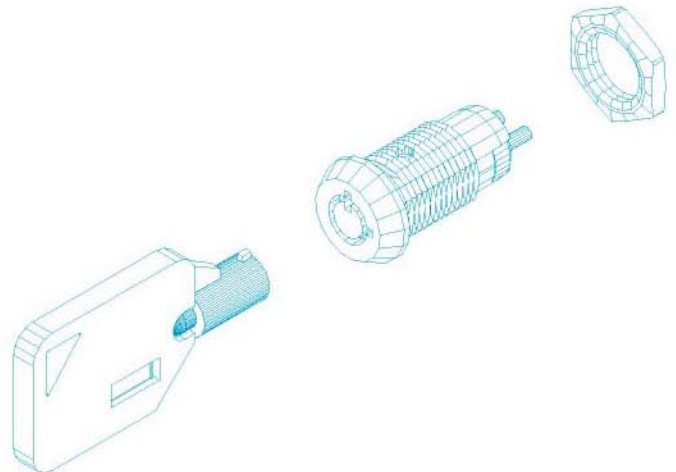
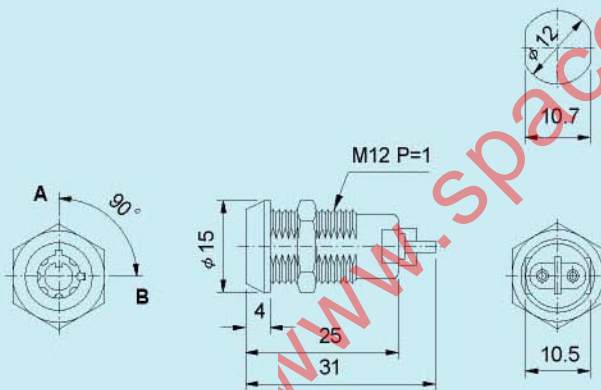


DESCRIPTION

- . Zinc alloy die cast housing and cylinder.
- . Bright chrome plated standard.
- . 7 pin tumbler mechanism.
- . Zinc alloy tubular keys, Barrel chrome plated, with plastic cover.
- . Key withdrawals in one or both positions.
- . Silver plated contacts and terminals.
- . 2 position (off-on) 2 terminals.
- . Hex nut mounted.
- . All keyed alike or one combination per 100pcs standard.
- . 5000 combinations available.

Unit: mm

Recommended hole size



- -OFF POSITION
- -INDICATES KEY-PULL
- -INDICATES NO KEY-PULL



Fig No	Lock Numbe	Pole	Positions	Terminals	Key Pulls	Turn	↑	→	Type
1	NS117-1	1	2	2	1	90°	Off	On	SPST
2	NS117-2	1	2	2	2	90°	Off	On	SPST