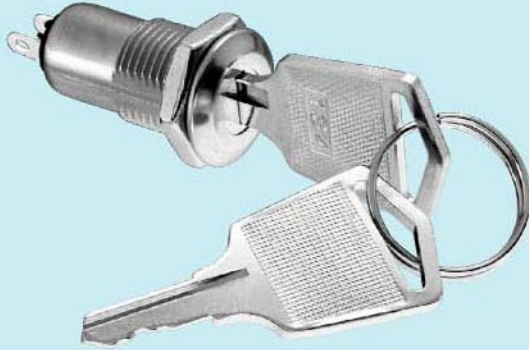


# S1091B

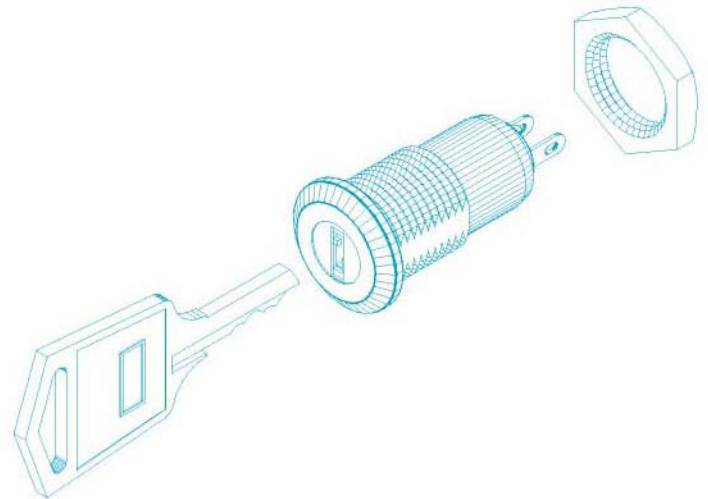
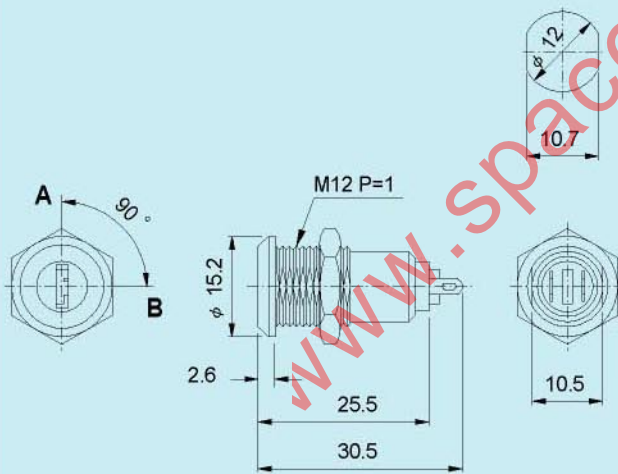


## DESCRIPTION

- . Zinc alloy die cast housing and plastic cylinder.
- . Stainless steel capped bezel.
- . Barrel chrome plated standard.
- . 4 disc tumbler mechanism.
- . Brass keys, nickel plated.
- . Key may be withdrawn in one or both positions.
- . Silver plated contacts and terminals.
- . S1091BA key with plastic cover.
- . 2 position (off-on) 2 terminals.
- . Hex nut mounted.
- . All keyed alike or 20 combinations standard.
- . 20 combinations available.

Unit: mm

Recommended hole size



○ -OFF POSITION

■ -INDICATES KEY-PULL

● -INDICATES NO KEY-PULL



Fig.1

Fig.2

Fig No	Lock Number	Pole	Positions	Terminals	Key Pulls	Turn	↑	→	Type
1	S1091B-1	1	2	2	1	90°	Off	On	SPST
2	S1091B-2	1	2	2	2	90°	Off	On	SPST