

S1231 series

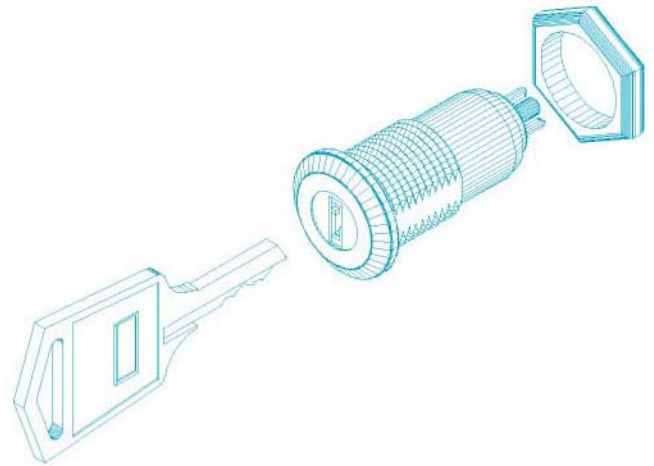
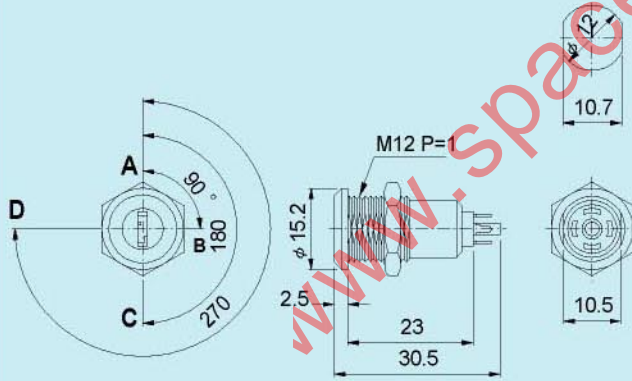


DESCRIPTION

- . Zinc alloy die cast housing and plastic cylinder.
- . Stainless steel capped bezel.
- . Barrel chrome plated standard.
- . 4 disc tumbler mechanism.
- . Brass keys, nickel plated.
- . Various key withdrawals available.
- . Silver plated contacts and terminals.
- . Hex nut mounted.
- . All keyed alike or 20 combinations standard.
- . 20 combinations available.

Unit: mm

Recommended hole size



- -OFF POSITION
- -INDICATES KEY-PULL
- -INDICATES NO KEY-PULL

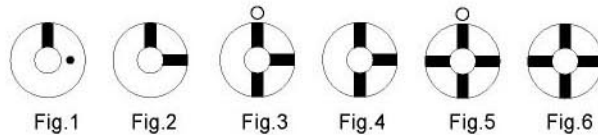


Fig No	Lock Number	Pole	Positions	Terminals	Key Pulls	Turn	↑	→	↓	←	Type
1	S1231	1	2	3	1	90°	On	On			SPDT
2	S1232	1	2	3	2	90°	On	On			SPDT
3	S1333	1	3	3	3	180°	Off	On	On		SPDT
4	S1343	1	3	4	3	180°	On	On	On		SP3T
5	S1444	1	4	4	4	270°	Off	On	On	On	SP3T
6	S1454	1	4	5	4	270°	On	On	On	On	SP4T