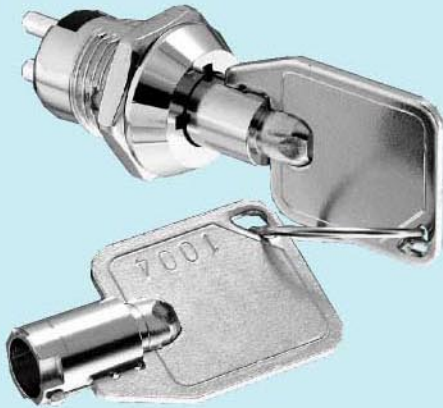


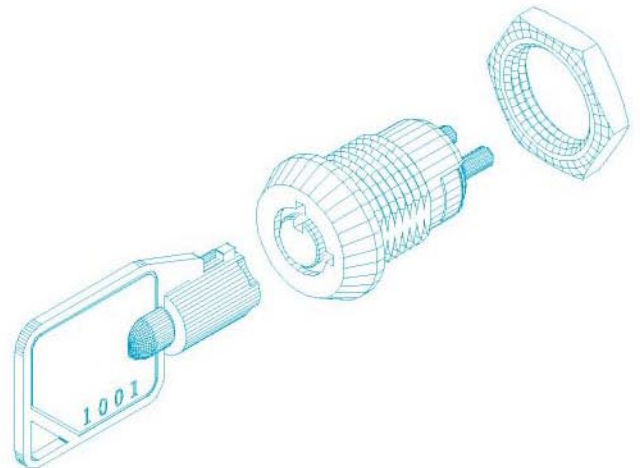
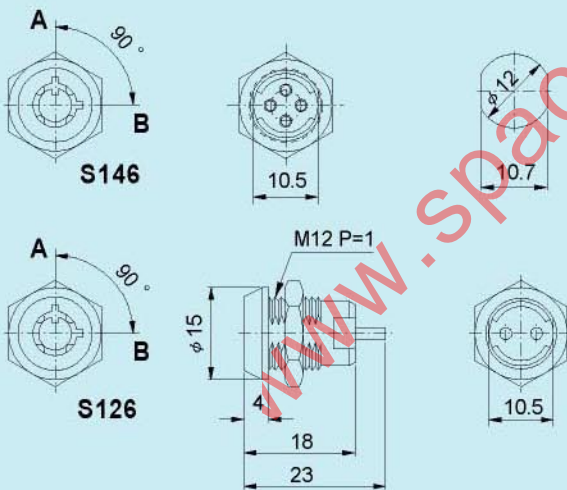
**S126 S146**



**DESCRIPTION**

- . Zinc alloy die cast housing and cylinder.
- . Bright chrome plated standard.
- . 4 pin tumbler mechanism.
- . Steel made tubular keys, nickel plated.
- . Key may be withdrawn in one or both positions.
- . Silver plated contacts and terminals.
- . S126 2 position (off-on) 2 terminals.
- . S146 2 position (on-on) 4 terminals.
- . Hex nut mounted.
- . All keyed alike or one combination per 100pcs standard.
- . 150 combinations available.

Unit: mm Recommended hole size



- -OFF POSITION
- -INDICATES KEY-PULL
- -INDICATES NO KEY-PULL

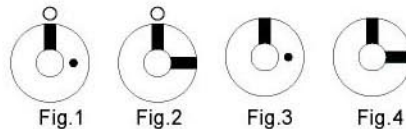


Fig No	Lock Number	Pole	Positions	Terminals	Key Pulls	Turn	↑	→	Type
1	S126-1	1	2	2	1	90°	Off	On	SPST
2	S126-2	1	2	2	2	90°	Off	On	SPST
3	S146-1	1	2	4	1	90°	On	On	SPDT
4	S146-2	1	2	4	2	90°	On	On	SPDT