

S202ZB S202ZD
S202ZC S202ZDA

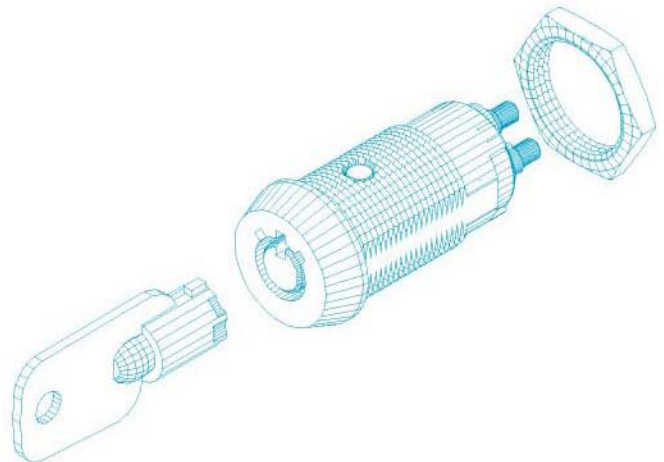
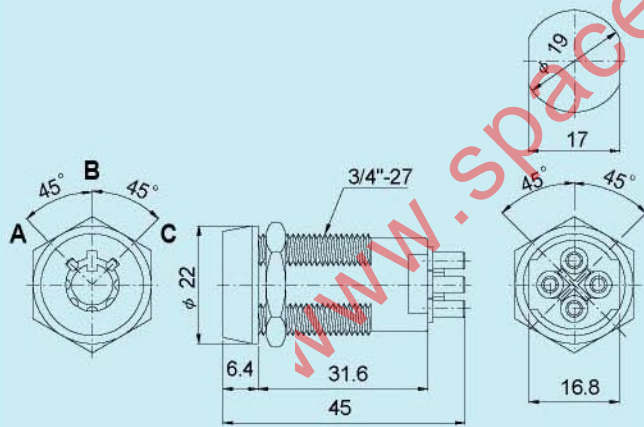


DESCRIPTION

- . Zinc alloy die cast housing and cylinder
- . Bright chrome plated standard.
- . 7 pin tumbler mechanism.
- . Steel made tubular keys, nickel plated.
- . Key may be withdrawn in one or both or three positions.
- . Silver plated contacts and terminals.
- . S202ZB 3 position (on-off-on) 4 terminals.
- . S202ZC 3 position (off-on-on) 4 terminals.
- . S202ZD 2 position (on-on) 4 terminals.
- . S202ZDA 2 position (on-on) 4 terminals, spring loaded for momentary contact.
- . Hex nut mounted.
- . All keyed alike or one combination per 100pcs standard.
- . 10000 combinations available.

Unit: mm

Recommended hole size



- -OFF POSITION
- -INDICATES KEY-PULL
- -INDICATES NO KEY-PULL

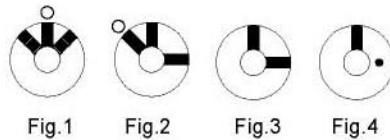


Fig No	Lock Number	Pole	Positions	Terminals	Key Pulls	Turn	↺	↻	↷	↶	Type
1	S202ZB	1	3	4	3	45° - 0 - 45°	On	Off	On		SPDT
2	S202ZC	1	3	4	3	45° - 0 - 90°	Off	On		On	SPDT
3	S202ZD	1	2	4	2	90°		On		On	SPDT
4	S202ZDA	1	2	4	1	90°		On		(On)	SPDT

() : Momentary Contact