

**S203A S203AM**

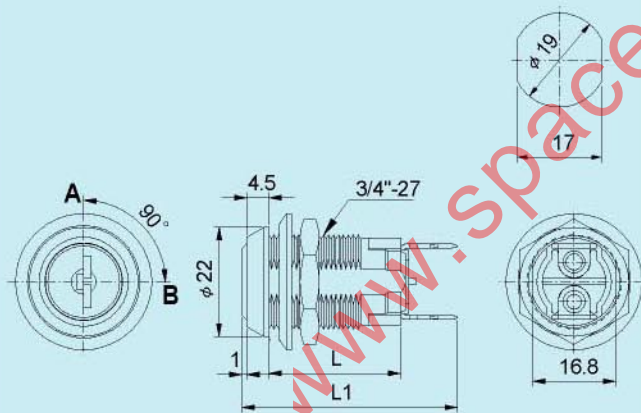


**DESCRIPTION**

- . Zinc alloy die cast housing and cylinder.
- . Bright chrome plated standard.
- . 11 disc tumbler mechanism.
- . Double-bitted brass keys.
- . Key may be withdrawn in one or both positions.
- . S203A 2 position (off-on) 2 spade terminals.
- . S203AM 2 position (off-on) 2 spade terminals, spring loaded for momentary contact.
- . Hex nut mounted.
- . All keyed alike or 5 combinations standard.
- . 5 combinations available.

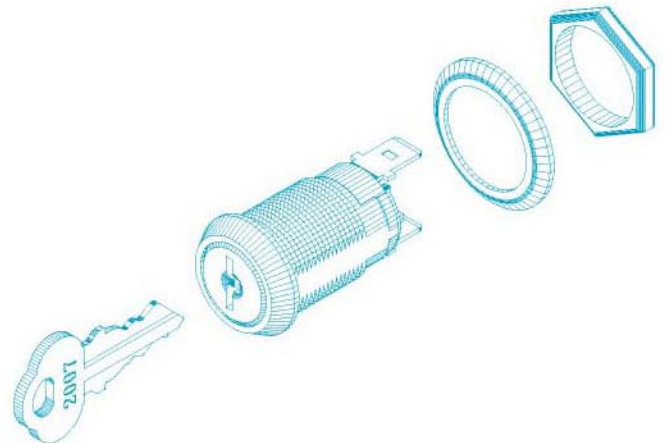
Unit: mm

Recommended hole size



**SPECIFICATION**

- . Contact Rating: 4A 125VAC, 2A 250VAC.
- . Contact Resistance: 10Milli-Ohms Max.
- . Insulation Resistance: 500 Meg-Ohms Min. (500VDC)
- . Dielectric Strength: 1500 VAC -1 Minute.



- -OFF POSITION
- -INDICATES KEY-PULL
- -INDICATES NO KEY-PULL

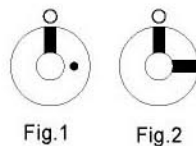


Fig No	Lock Number	Pole	Positions	Terminals	Key Pulls	Turn	↑	→	Type
1	S203A-1	1	2	2	1	90°	Off	On	SPST
2	S203A-2	1	2	2	2	90°	Off	On	SPST
1	S203AM	1	2	2	1	90°	Off	(On)	SPST

Lock Number	L	L1
S203A	26.5	43.5
S203AM	34	51.3

( ):Momentary Contact