

S203B S203BM

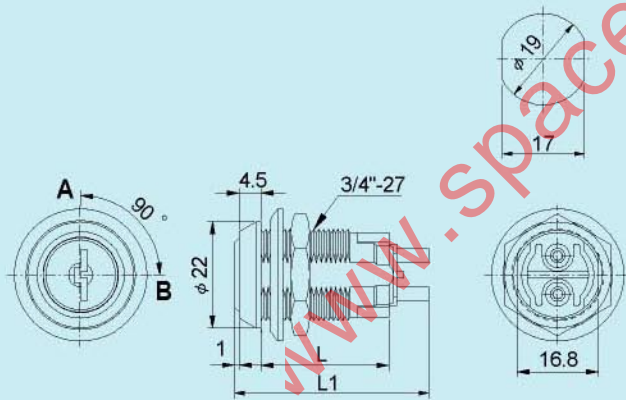


DESCRIPTION

- . Zinc alloy die cast housing and cylinder.
- . Bright chrome plated standard.
- . 11 disc tumbler mechanism.
- . Double-bitted brass keys.
- . Key may be withdrawn in one or both positions.
- . S203B 2 position (off-on) 2 tubular terminals.
- . S203BM 2 position (off-on) 2 tubular terminals, spring loaded for momentary contact.
- . Hex nut mounted.
- . All keyed alike or 5 combinations standard.
- . 5 combinations available.

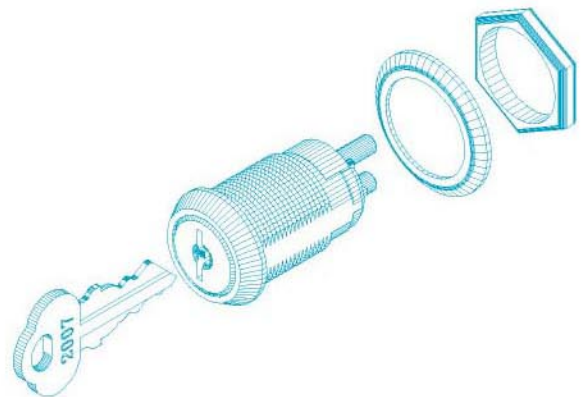
Unit: mm

Recommended hole size



SPECIFICATION

- . Contact Rating: 4A 125VAC, 2A 250VAC.
- . Contact Resistance: 10Milli-Ohms Max.
- . Insulation Resistance: 500 Meg-Ohms Min. (500VDC)
- . Dielectric Strength: 1500 VAC -1 Minute.



○ -OFF POSITION

■ -INDICATES KEY-PULL

● -INDICATES NO KEY-PULL



Fig.1

Fig.2

Fig No	Lock Number	Pole	Positions	Terminals	Key Pulls	Turn	↑	→	Type
1	S203B-1	1	2	2	1	90°	Off	On	SPST
2	S203B-2	1	2	2	2	90°	Off	On	SPST
1	S203BM	1	2	2	1	90°	Off	(On)	SPST

Lock Number	L	L1
S203B	26.5	40.5
S203BM	34	49

() : Momentary Contact