

S203 S203M

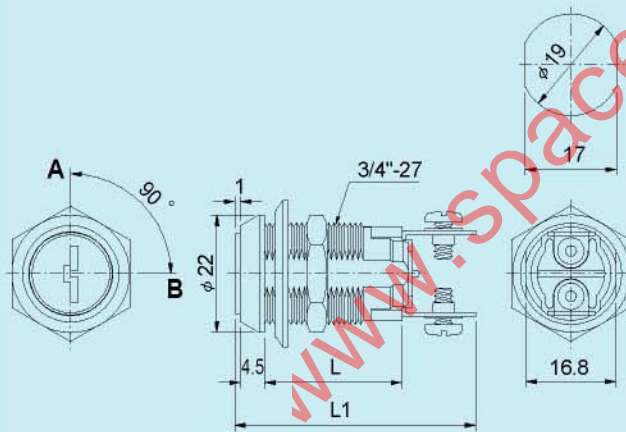


DESCRIPTION

- . Zinc alloy die cast housing and cylinder.
- . Bright chrome plated standard.
- . 11 disc tumbler mechanism.
- . Double-bitted brass keys.
- . Key may be withdrawn in one or both positions.
- . S203 2 position (off-on) 2 screw terminals.
- . S203M 2 position (off-on) 2 screw terminals, spring loaded for momentary contact.
- . Hex nut mounted.
- . All keyed alike or 5 combinations standard.
- . 5 combinations available.

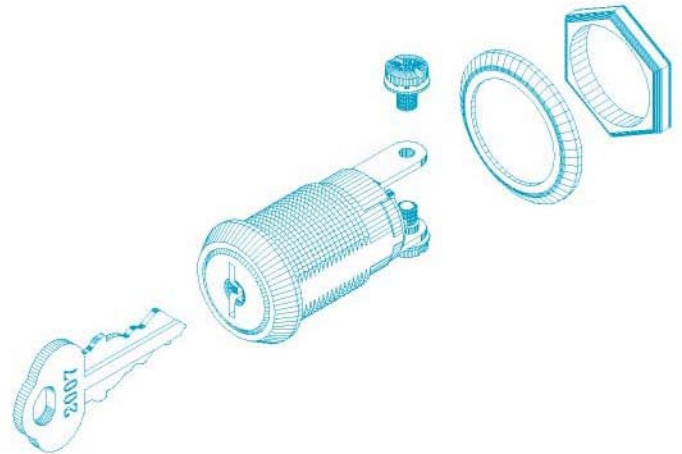
Unit: mm

Recommended hole size



SPECIFICATION

- . Contact Rating: 4A 125VAC, 2A 250VAC.
- . Contact Resistance: 10Milli-Ohms Max.
- . Insulation Resistance: 500 Meg-Ohms Min. (500VDC)
- . Dielectric Strength: 1500 VAC -1 Minute.



- -OFF POSITION
- -INDICATES KEY-PULL
- -INDICATES NO KEY-PULL

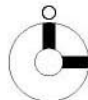
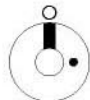


Fig.1

Fig.2

| Fig No | Lock Number | Pole | Positions | Terminals | Key Pulls | Turn | ↑ | → | Type |
|--------|-------------|------|-----------|-----------|-----------|------|-----|------|------|
| 1 | S203-1 | 1 | 2 | 2 | 1 | 90° | Off | On | SPST |
| 2 | S203-2 | 1 | 2 | 2 | 2 | 90° | Off | On | SPST |
| 1 | S203M | 1 | 2 | 2 | 1 | 90° | Off | (On) | SPST |

| Lock Number | L | L1 |
|-------------|------|------|
| S203 | 26.5 | 45 |
| S203M | 34 | 53.5 |

():Momentary Contact