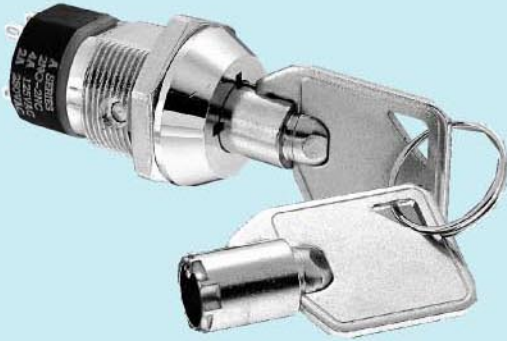


S206A S206B

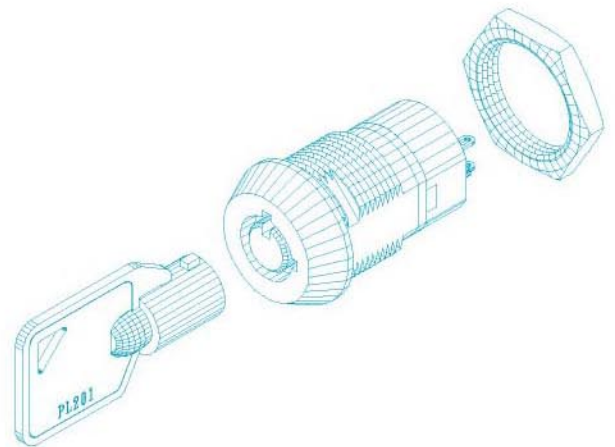
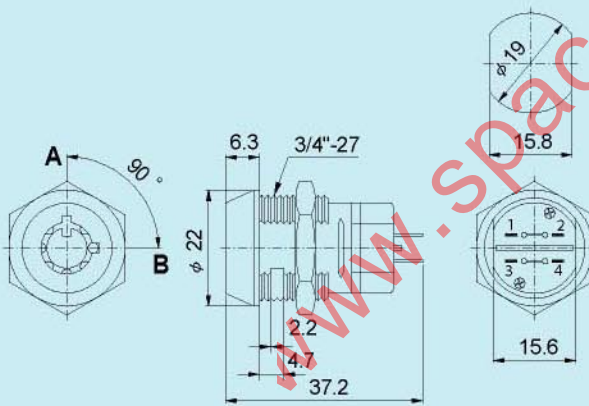


DESCRIPTION

- . Zinc alloy die cast housing and cylinder.
- . Bright chrome plated standard.
- . 7 pin tumbler mechanism.
- . Steel made tubular keys, nickel plated.
- . Key may be withdrawn in one or both positions.
- . Silver plated contacts and terminals.
- . S206A 2 position (off-on) 4 terminals. (2NO 2NC)
- . S206B 2 position (on-on) 4 terminals. (1NO 1NC)
- . Hex nut or speed clip mounted.
- . All keyed alike or one combination per 100pcs standard.
- . 10000 combinations available.

Unit: mm

Recommended hole size



- -OFF POSITION
- -INDICATES KEY-PULL
- -INDICATES NO KEY-PULL

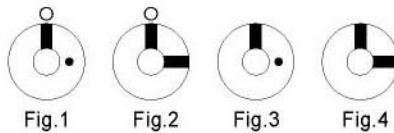


Fig No	Lock Number	Pole	Positions	Terminals	Key Pulls	Turn	↑	→	Type
1	S206A-1	2	2	4	1	90°	Off	On	DPST
2	S206A-2	2	2	4	2	90°	Off	On	DPST
3	S206B-1	2	2	4	1	90°	On	On	SPDT
4	S206B-2	2	2	4	2	90°	On	On	SPDT