

S212Z S212ZA

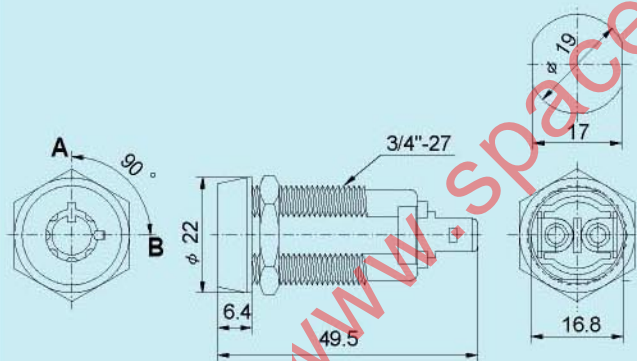


DESCRIPTION

- . Zinc alloy die cast housing and cylinder.
- . Bright chrome plated standard.
- . 7 pin tumbler mechanism.
- . Steel made tubular keys, nickel plated.
- . Key may be withdrawn in one or both positions.
- . Silver plated contacts and terminals.
- . S212Z 2 position (off-on) 2 spade terminals.
- . S212ZA 2 position (off-on) 2 spade terminals, spring loaded for momentary contact.
- . Hex nut mounted.
- . All keyed alike or one combination per 100pcs standard.
- . 10000 combinations available.

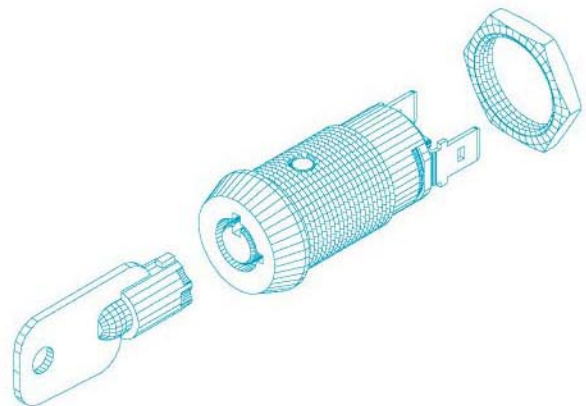
Unit: mm

Recommended hole size



SPECIFICATION

- . Contact Rating: 4A 125VAC, 2A 250VAC.
- . Contact resistance: 10 Milli - Ohms Max.
- . Insulation Resistance: 500 Meg - Ohms Min. (500VDC)
- . Dielectric Strength: 1500VAC - 1 Minute.
- . 10000 combinations available.



- -OFF POSITION
- -INDICATES KEY-PULL
- -INDICATES NO KEY-PULL



Fig.1

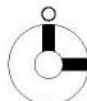


Fig.2

Fig No	Lock Number	Pole	Positions	Terminals	Key Pulls	Turn	⬆	⬇	Type
1	S212Z-1	1	2	2	1	90°	Off	On	SPST
2	S212Z-2	1	2	2	2	90°	Off	On	SPST
1	S212ZA	1	2	2	1	90°	Off	(On)	SPST

():Momentary Contact