

# S215 series



## DESCRIPTION

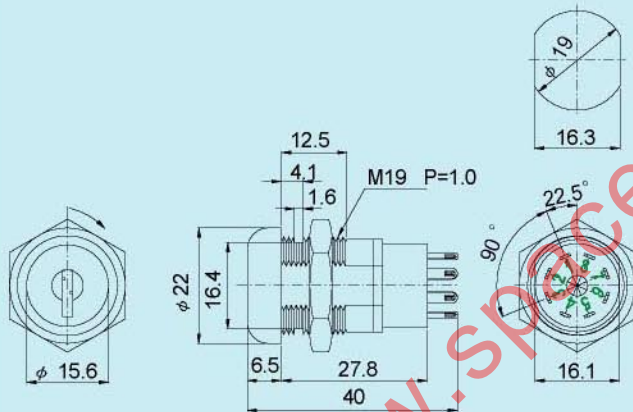
- . Zinc alloy die cast housing and cylinder.
- . Bright nickel plated standard.
- . 4 disc tumbler mechanism.
- . Brass keys, nickel plated.
- . Key may be withdrawn in one or both or three positions.
- . Golden plated contacts and terminals
- . Hex nut or speed clip mounted.
- . All keyed alike or 20 combinations standard.
- . 20 combinations available.

## SPECIFICATION

- . Contact Rating: 4A 125VAC, 2A 250VAC.
- . Contact Resistance: 10 Milli-Ohms Max.
- . Insulation Resistance: 500 Meg-Ohms Min. (500VDC)
- . Dielectric Strength: 1000 VAC -1 Minute.

Unit: mm

Recommended hole size



- ▼ -Momentary position(45°)
- -Detent positions (45° or 90°)
- ⊙ -Key pull possible in these positions
- ▽ or ● or ⊙ --Stop positions

## MODEL / SWITCH AND FUNCTION FOR S215

LOCK CONFIGURATION CAS VIEWED FROM KEY END	MODEL NO. NO. POLES	CONNECTED TERMINALS					KEY PULL POSSIBLE THESE POS.
		POS.1	POS.2	POS.3	POS.4	POS.5	
45° INDEXING MOMENTARY	S215-A SP S215-B DP	8-1 8-1 4-5	1-2 1-2 5-6				POS.1
45° INDEXING MOMENTARY	S215-C SP S215-D DP	8-1 8-1 4-5	7-8 7-8 3-4				POS.1
45° INDEXING MOMENTARY	S215-E SP S215-F DP	8-1 8-1 4-5	1-2 1-2 5-6	7-8 7-8 3-4			POS.1
45° /90° INDEXING MOMENTARY	S215-G SP	7-1	1-2	6-7			POS.1 POS.3
45° /90° INDEXING MOMENTARY	S215-H SP	8-1	7-8	1-3			POS.1 POS.3
45° INDEXING MOMENTARY	S215-I SP S215-J DP	8-1 8-1 4-5	1-2 1-2 5-6	7-8 7-8 3-4			POS.1
45° INDEXING MOMENTARY	S215-K SP S215-L DP	8-1 8-1 4-5	7-8 7-8 3-4	1-2 1-2 5-6			POS.1