

# S246-3C

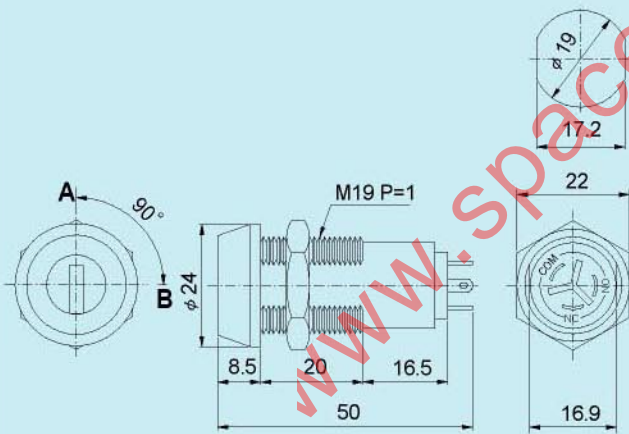


## DESCRIPTION

- . Zinc alloy die cast housing and cylinder.
- . Trivalent zinc plated standard.
- . Stainless steel capped bezel, dust shutter mechanism.
- . 5 disc tumbler mechanism.
- . Reversible double-bitted brass keys, nickel plated.
- . Key may be withdrawn in one or both positions.
- . Silver plated contacts and terminals.
- . 2 position (on-on) 3 terminals.
- . Hex nut mounted.
- . All keyed alike or 25 combinations standard.
- . 100 combinations available.

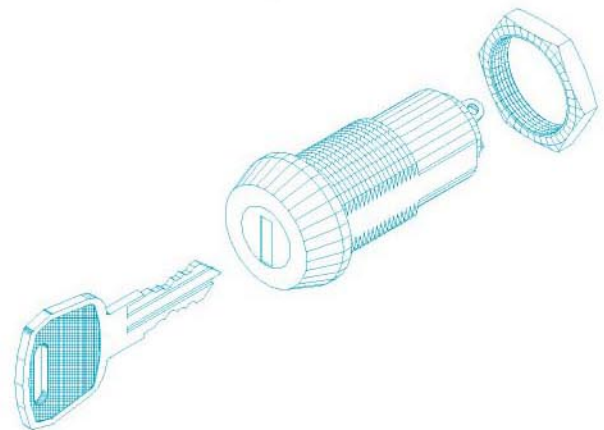
Unit: mm

Recommended hole size



## SPECIFICATION

- . Contact Rating: 4A 125VAC, 2A 250VAC
- . Contact Resistance: 10 Milli-Ohms Max.
- . Insulation Resistance: 500 Meg-Ohms Min. (500VDC)
- . Dielectric Strength: 1000 VAC - 1 Minute.



- -OFF POSITION
- -INDICATES KEY-PULL
- -INDICATES NO KEY-PULL



Fig.1

Fig.2

Fig No	Lock Number	Pole	Positions	Terminals	Key Pulls	Turn	⬆	⬇	Type
1	S246-3C-1	1	2	3	1	90°	On	On	SPDT
2	S246-3C-2	1	2	3	2	90°	On	On	SPDT