

S246 S246M

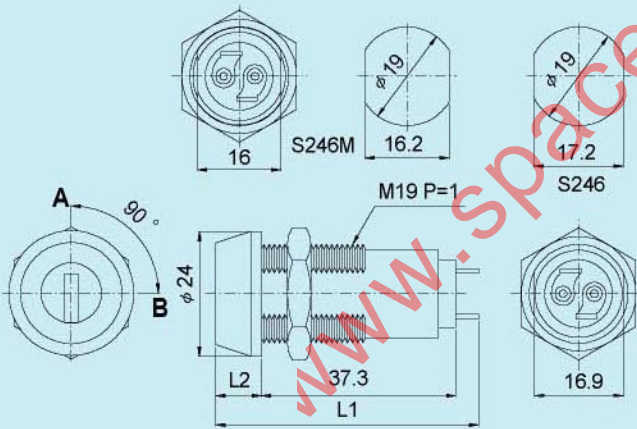


DESCRIPTION

- . Zinc alloy die cast housing and cylinder.
- . Trivalent zinc plated standard.
- . Stainless steel capped bezel with dust shutter mechanism.
- . 5 disc tumbler mechanism.
- . Reversible double-bitted brass keys, nickel plated.
- . Key may be withdrawn in one or both positions.
- . Silver plated contacts and terminals.
- . S246 2 position (off-on) 2 terminals.
- . S246M 2 position (off-on) 2 terminals, spring loaded for momentary contact.
- . Hex nut mounted.
- . All keyed alike or 25 combinations standard.
- . 100 combinations available.

Unit: mm

Recommended hole size



SPECIFICATION

- . Contact Rating: 4A 125VAC, 2A 250VAC
- . Contact Resistance: 10 Milli-Ohms Max.
- . Insulation Resistance: 500 Meg-Ohms Min. (500VDC)
- . Dielectric Strength: 1000 VAC - 1 Minute.

- -OFF POSITION
- -INDICATES KEY-PULL
- -INDICATES NO KEY-PULL



Fig.1

Fig.2

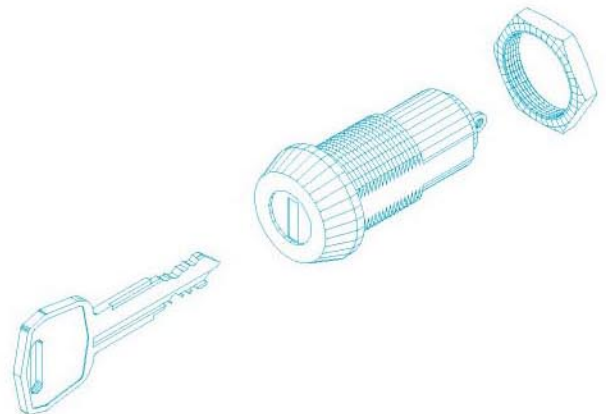


Fig No	Lock Number	Pole	Positions	Terminals	Key Pulls	Turn	↑	→	Type
1	S246-1	1	2	2	1	90°	Off	On	SPST
2	S246-2	1	2	2	2	90°	Off	On	SPST
1	S246M	1	2	2	1	90°	Off	(On)	SPST

Lock Number	L1	L2
S246	50.5	8.8
S246M	40	7.2

() : Momentary Contact