

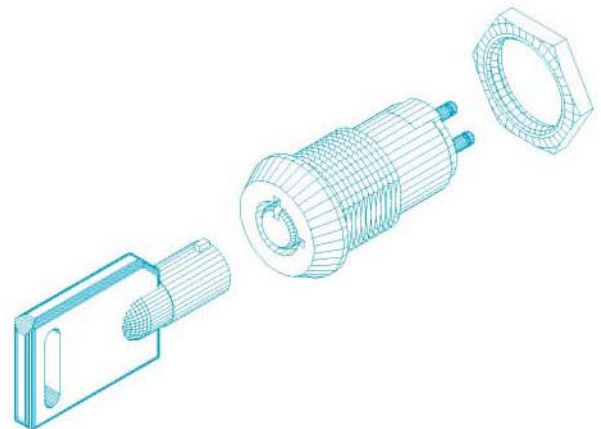
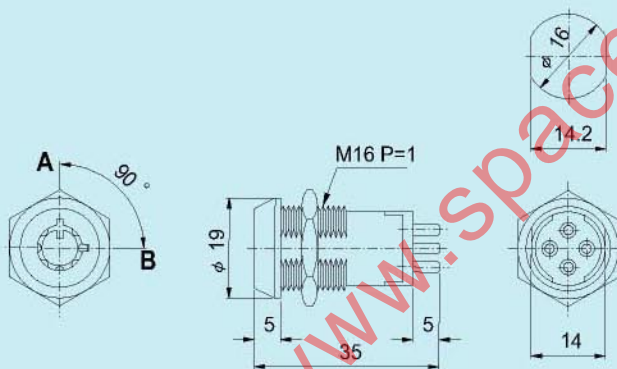
# S314



## DESCRIPTION

- . Zinc alloy die cast housing and cylinder.
- . Bright chrome plated standard.
- . 7 pin tumbler mechanism.
- . Zinc alloy tubular keys, chrome plated, with plastic cover.
- . Key may be withdrawn in one or both positions.
- . Silver plated contacts and terminals.
- . 2 position (on-on) 4 terminals.
- . Hex nut mounted.
- . All keyed alike or one combination per 100pcs standard.
- . 10000 combinations available.

Recommended hole size  
Unit: mm



- -OFF POSITION
- -INDICATES KEY-PULL
- -INDICATES NO KEY-PULL

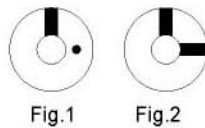


Fig No	Lock Number	Pole	Positions	Terminals	Key Pulls	Turn	↑	→	Type
1	S314-1	1	2	4	1	90°	On	On	SPDT
2	S314-2	1	2	4	2	90°	On	On	SPDT