

S331 S332 S333

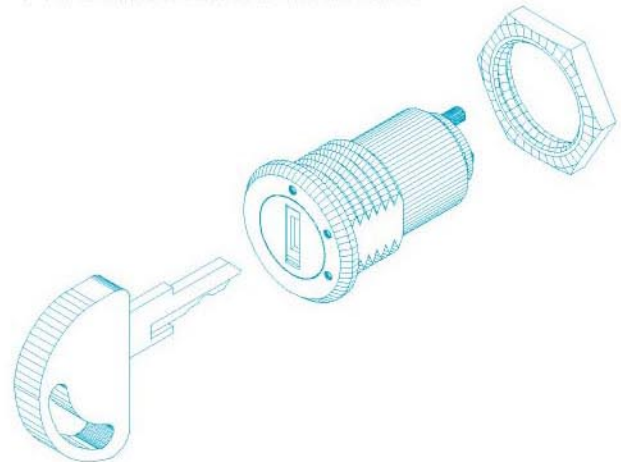
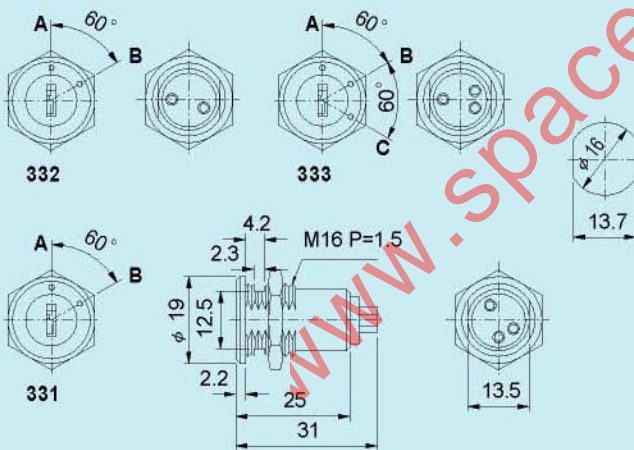


DESCRIPTION

- . Zinc alloy die cast housing and nylon cylinder.
- . Bright chrome plated standard.
- . 3 disc tumbler mechanism.
- . Brass keys, nickel plated, with plastic cover.
- . Key may be withdrawn in one or both or three positions.
- . Silver plated contacts and terminals.
- . S331 2 position (on-on) 60 index 3 terminals.
- . S332 2 position (off-on) 60 index 2 terminals.
- . S333 3 position (off-on-on) 60 index 3 terminals.
- . Hex nut or speed clip mounted.
- . All keyed alike or 16 combinations standard.
- . 16 combinations available.

Unit: mm

Recommended hole size



- -OFF POSITION
- -INDICATES KEY-PULL
- -INDICATES NO KEY-PULL

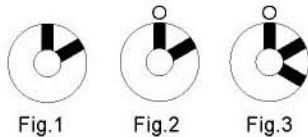


Fig No	Lock Number	Pole	Positions	Terminals	Key Pulls	Turn	↑	↻	↺	Type
1	S331	1	2	3	2	60°	On	On		SPDT
2	S332	1	2	2	2	60°	Off	On		SPST
3	S333	1	3	3	3	120°	Off	On	On	SPDT