

S502 S503 S504

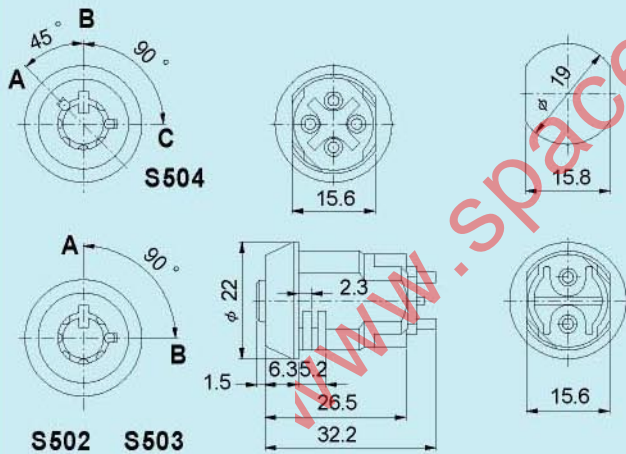


DESCRIPTION

- . Zinc alloy die cast housing and cylinder.
- . Satin chrome plated standard.
- . 7 pin tumbler mechanism.
- . Steel made tubular keys, nickel plated.
- . Key may be withdrawn in both or three positions.
- . Silver plated contacts and terminals.
- . S502 2 position (off-on) 2 terminals.
- . S503 2 position (on-on) 4 terminals.
- . S504 3 position (off-on-on) 4 terminals.
- . Speed clip mounted.
- . All keyed alike or one combination per 100pcs standard.
- . 10000 combinations available.

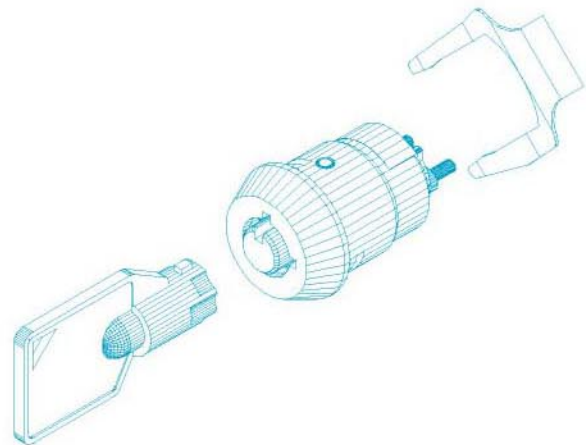
Unit: mm

Recommended hole size



SPECIFICATION

- . Contact Rating: 2A 125VAC, 1A 250VAC.
- . Contact resistance: 10 Milli - Ohms Max.
- . Insulation Resistance: 200 Meg - Ohms Min. (500VDC)
- . Dielectric Strength: 1000VAC - 1 Minute.



- -OFF POSITION
- -INDICATES KEY-PULL
- -INDICATES NO KEY-PULL



Fig No	Lock Number	Pole	Positions	Terminals	Key Pulls	Turn	↺	↑	↻	Type
1	S502	1	2	2	2	90°	Off	On		SPST
2	S503	1	2	4	2	90°	On	On		SPDT
3	S504	1	3	4	3	45°-0-90°	Off	On	On	SPDT